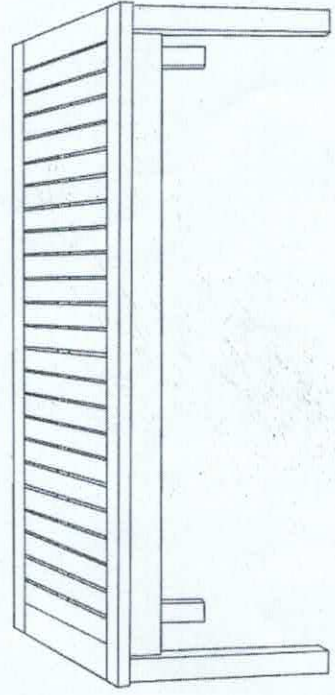
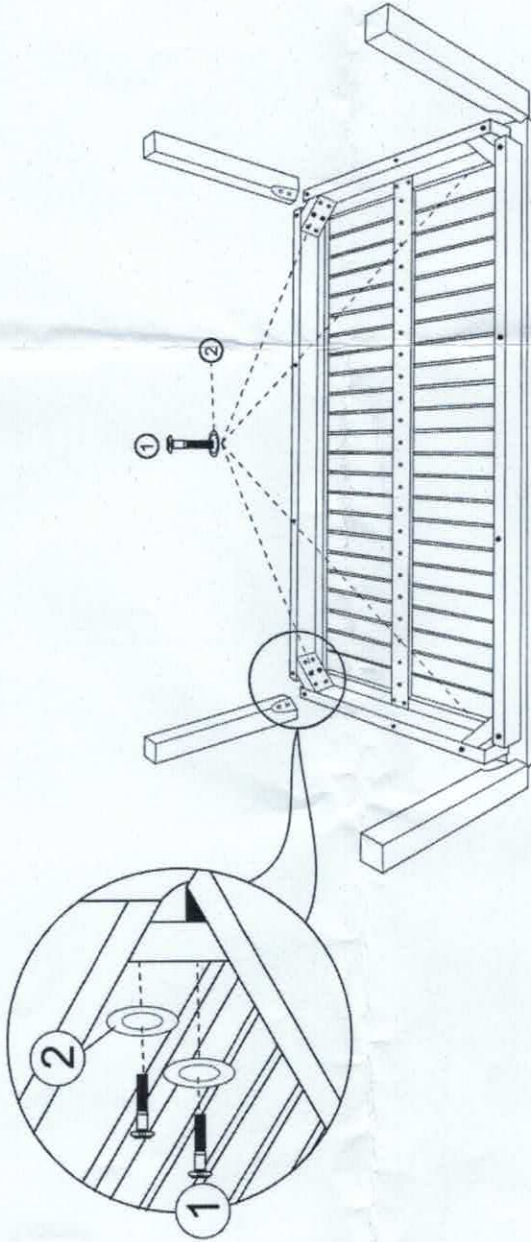





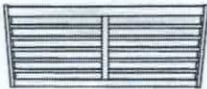









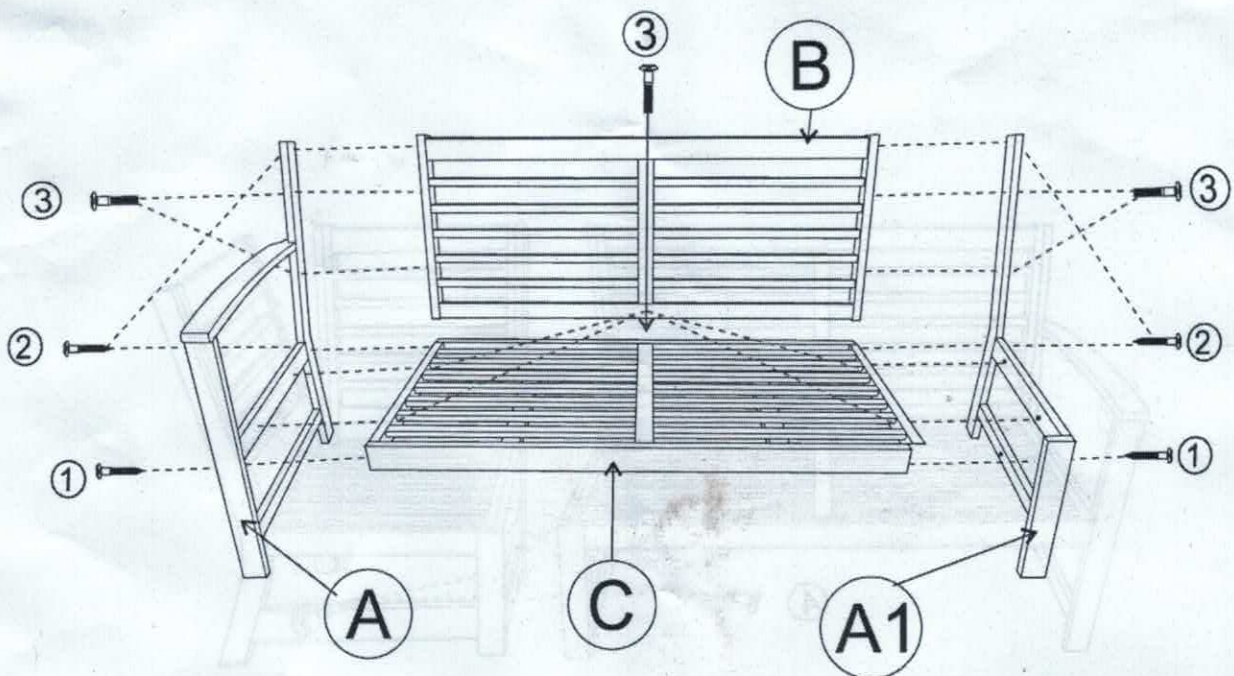
ASSEMBLY INSTRUCTIONS



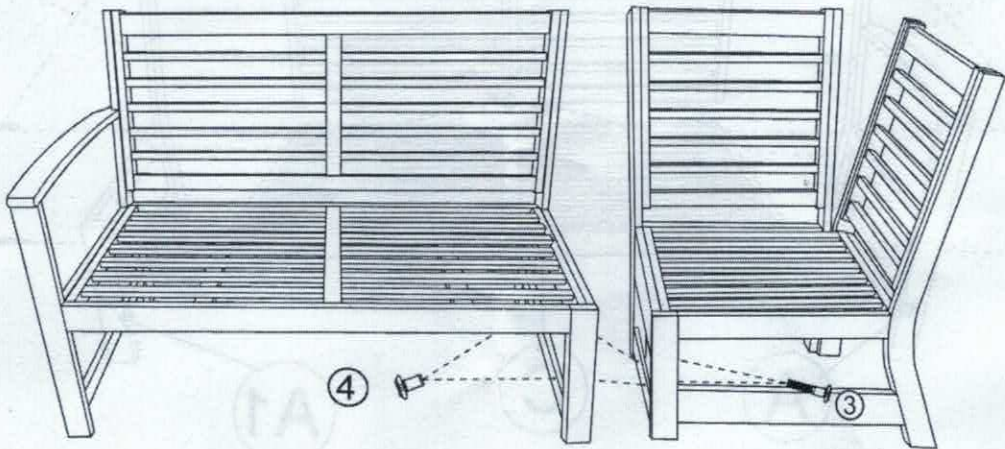
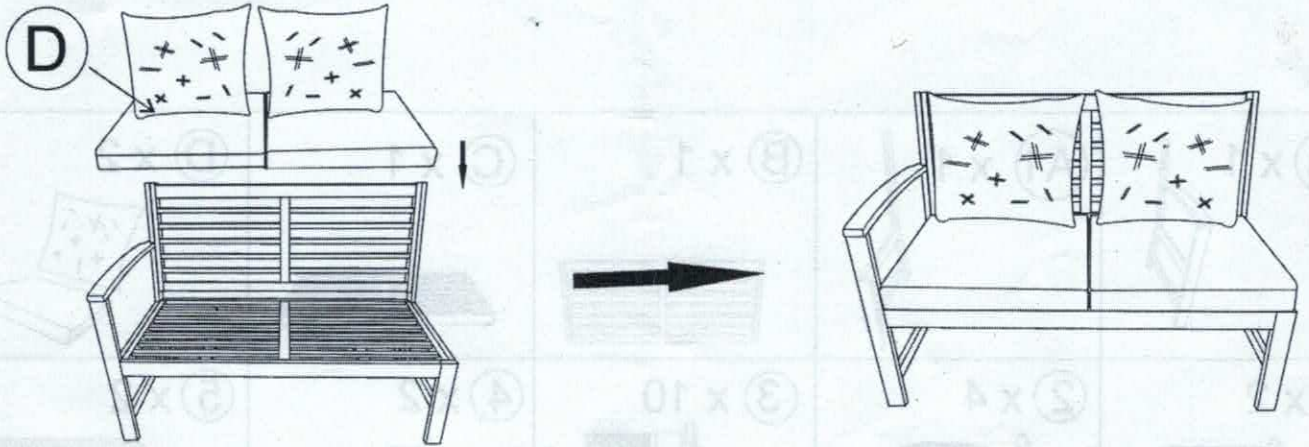
 <p>① 08 PCS</p>	 <p>② 08 PCS</p>	 <p>③ 01 PC</p>
---	---	--

ASSEMBLY INSTRUCTIONS



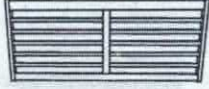



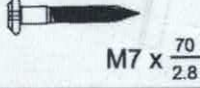
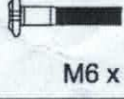


A x 1 	A1 x 1 	B x 1 	C x 1 	D x 2 
1 x 2  M7 x $\frac{90}{3.0}$	2 x 4  M7 x $\frac{70}{2.8}$	3 x 10  M6 x $\frac{40}{1.6}$	4 x 2  M6 x $\frac{15}{0.6}$	5 x 2  ALLEN KEY

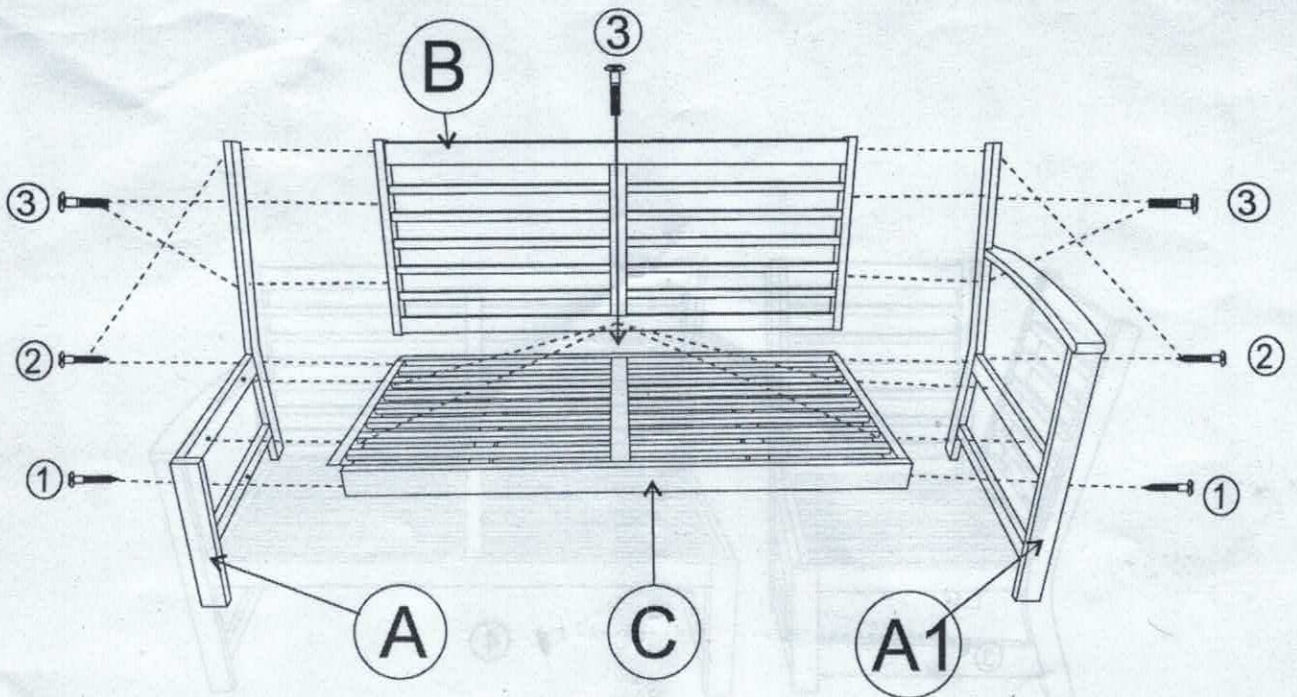


ASSEMBLY INSTRUCTIONS



ASSEMBLY INSTRUCTIONS

(A) x 1 	(A1) x 1 	(B) x 1 	(C) x 1 	(D) x 2 
(1) x 2  M7 x $\frac{90}{3.0}$	(2) x 4  M7 x $\frac{70}{2.8}$	(3) x 10  M6 x $\frac{40}{1.6}$	(4) x 2  M6 x $\frac{15}{0.6}$	(5) x 2  ALLEN KEY



ASSEMBLY INSTRUCTIONS

